

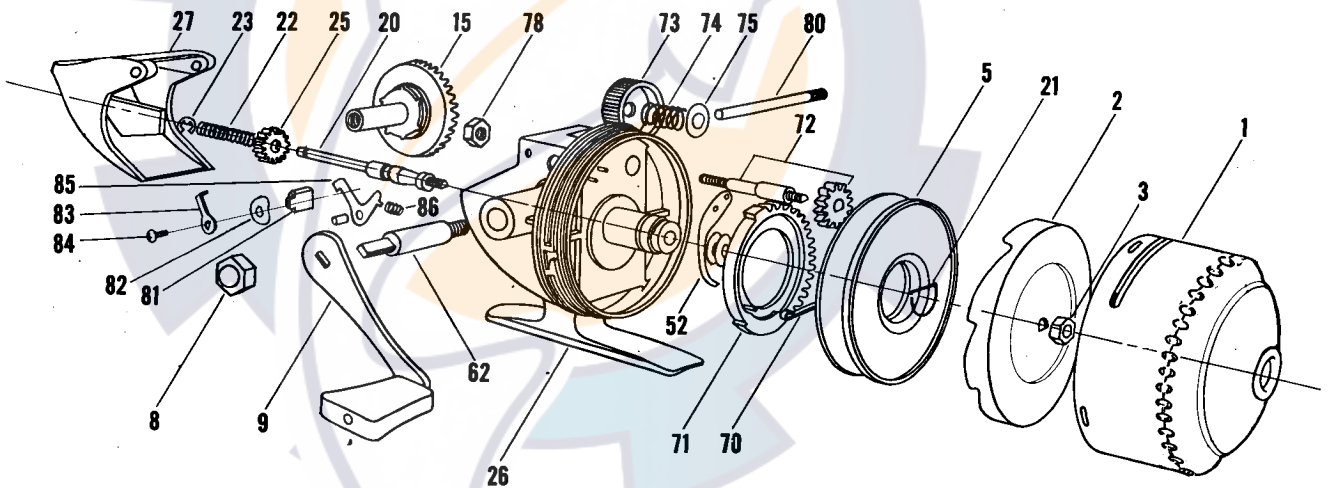


GLADDING
South Bend Tackle Co., Inc.
 Division of **GLADDING** Corporation

40

3-100-040

SPIN CAST REEL



Detail No.	Part Name	Part No.	Price	Detail No.	Part Name	Part No.	Price
1	Outer cone assembly	40/1	1.10	62	Outer crank shaft	40/62	.35
2	Pick-up housing	40/2	.50	70	Drag gear spring	40/70	.15
3	Pick-up nut	40/3	.10	71	Eccentric drag gear	40/71	.50
5	Complete spool assembly	40/5	1.95	72	Drag gear pinion shaft/gear	40/72	.50
8	Crank nut	40/8	.15	73	Drag nut	40/73	.25
9	Complete crank assembly	40/9	1.00	74	Drag nut spring	40/74	.10
15	Drive gear	40/15	.50	75	Drag nut washer	40/75	.10
20	Main shaft	40/20	.50	78	Hexagon nut for drag gear pinion	40/78	.10
21	Main shaft trip spring	40/21	.10	80	Thumb lever pin	40/80	.20
22	Main shaft spring	40/22	.15	81	Anti-reverse shaft	40/81	.30
23	Main shaft spring retainer	40/23	.10	82	Anti-reverse tension washer	40/82	.10
25	Pinion gear	40/25	.30	83	Anti-reverse lever	40/83	.10
26	Frame assembly	40/26	2.35	84	Anti-reverse lever screw	40/84	.05
27	Thumb lever	40/27	.20	85	Anti-reverse pawl	40/85	.15
52	Fiber washer for pick-up housing	40/52	.10	86	Anti-reverse spring	40/86	.10